

APPROVED	O.G. FIG.	
BY	CLASS	SUBCLASS
DRAFTSMAN		

1/7

10

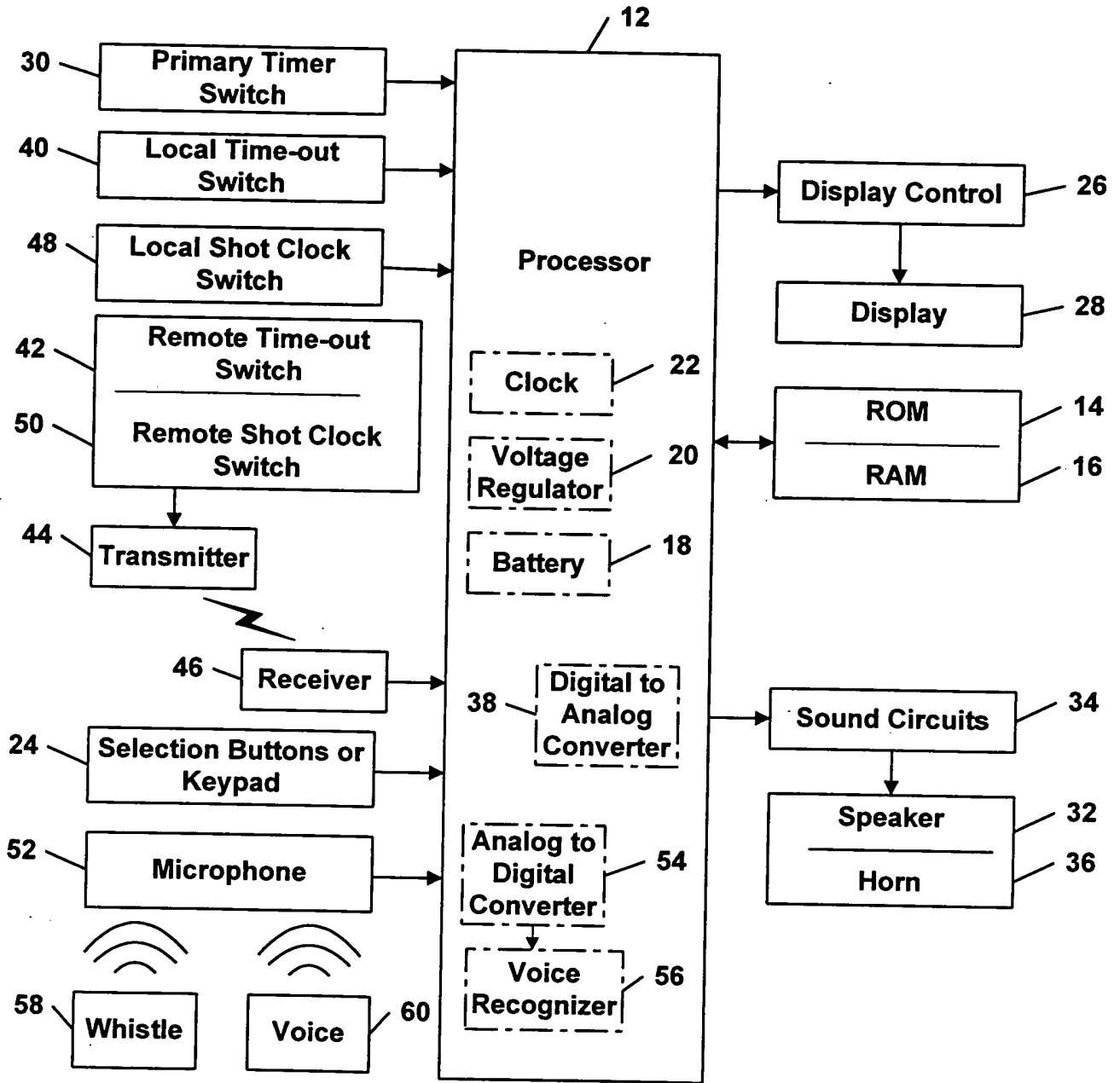


Fig. 1

APPROVED	O.G. FIG.	
BY	CLASS	SUBCLASS
DRAFTSMAN		

2/7

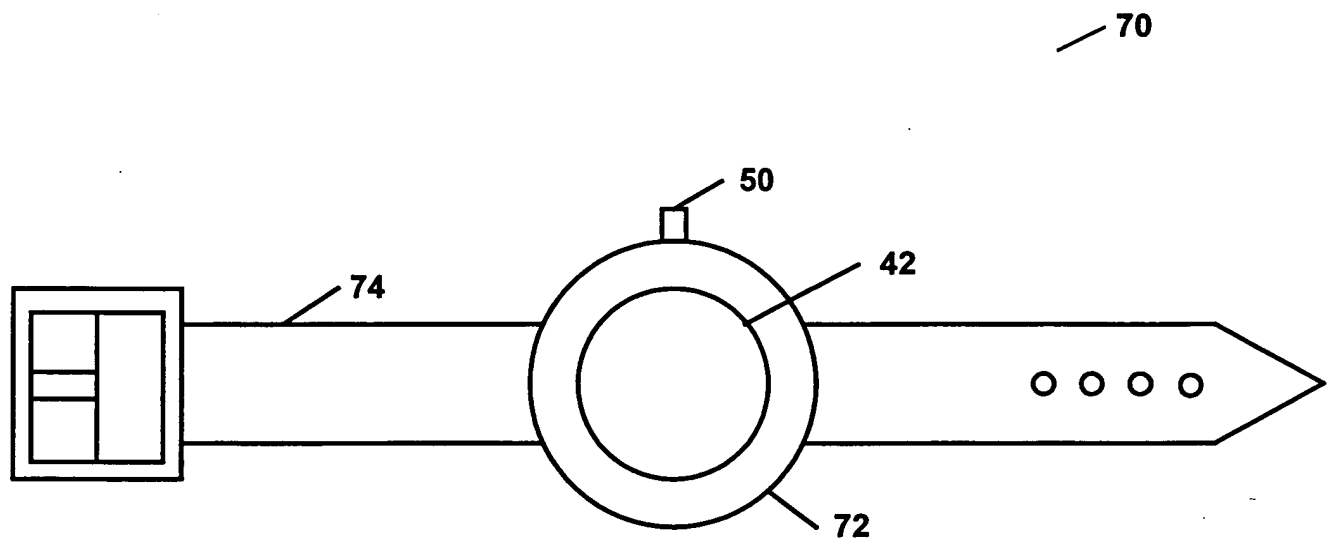


Fig. 2

APPROVED	O.G. FIG.	
BY	CLASS	SUBCLASS
DRAFTSMAN		

3/7

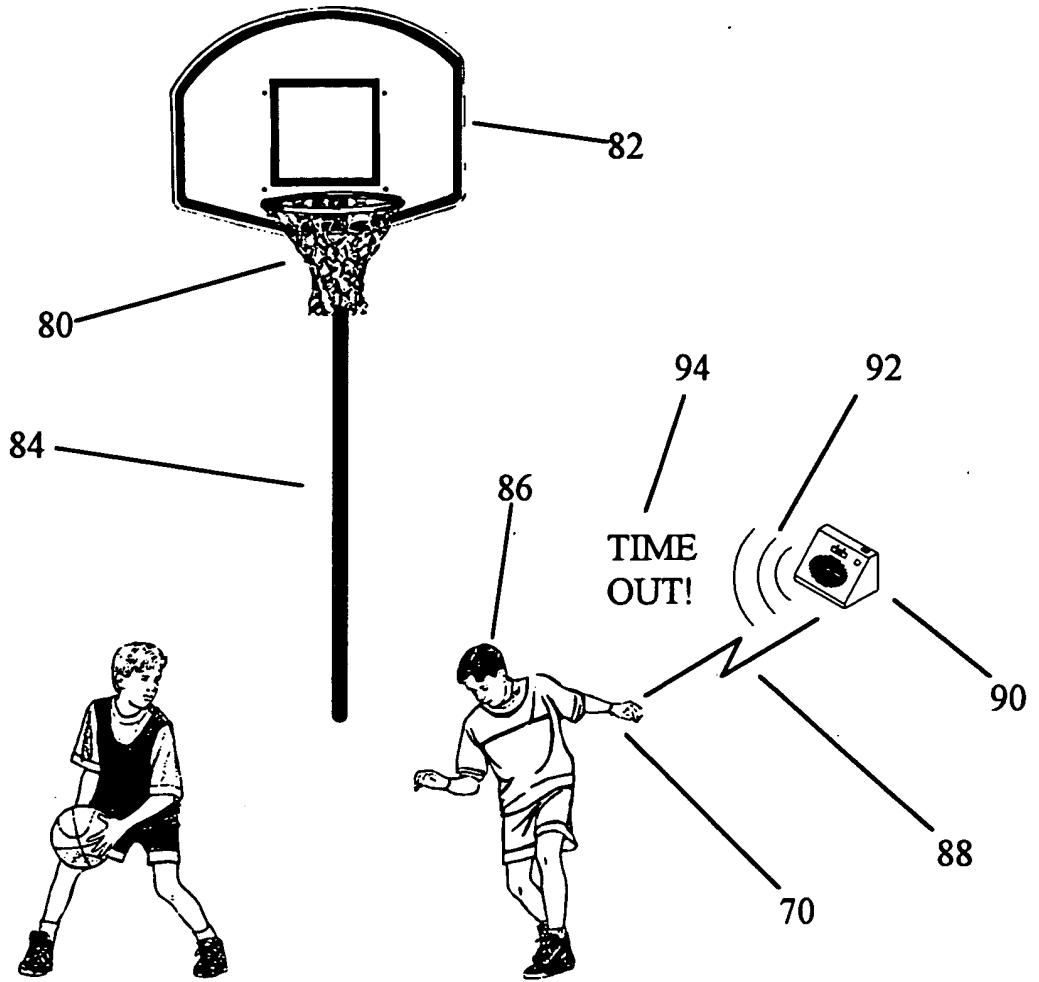


FIG. 3

6630-00000000

APPROVED	O.G. FIG.	
BY	CLASS	SUBCLASS
DRAFTSMAN		

4/7

90

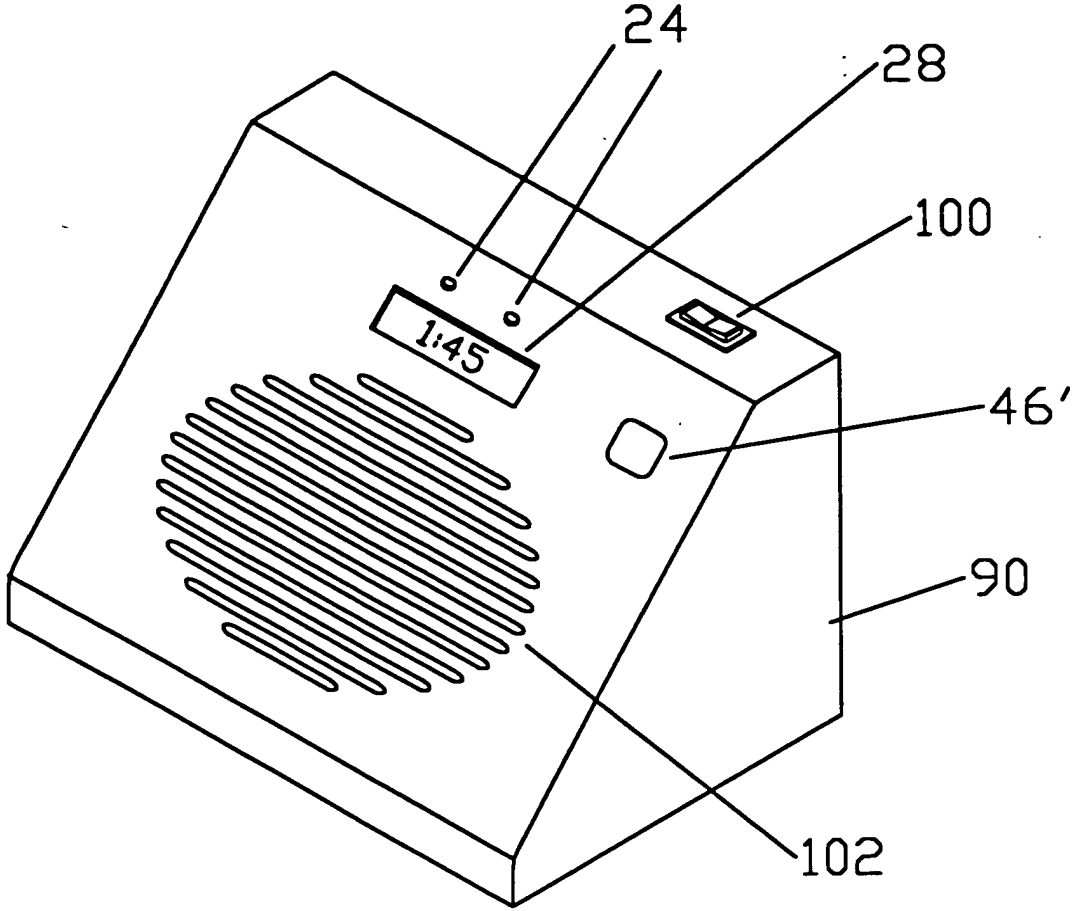


FIG. 4

4/7

APPROVED	O.G. FIG.	
BY	CLASS	SUBCLASS
DRAFTSMAN		

5/7

COPYRIGHT © 1980

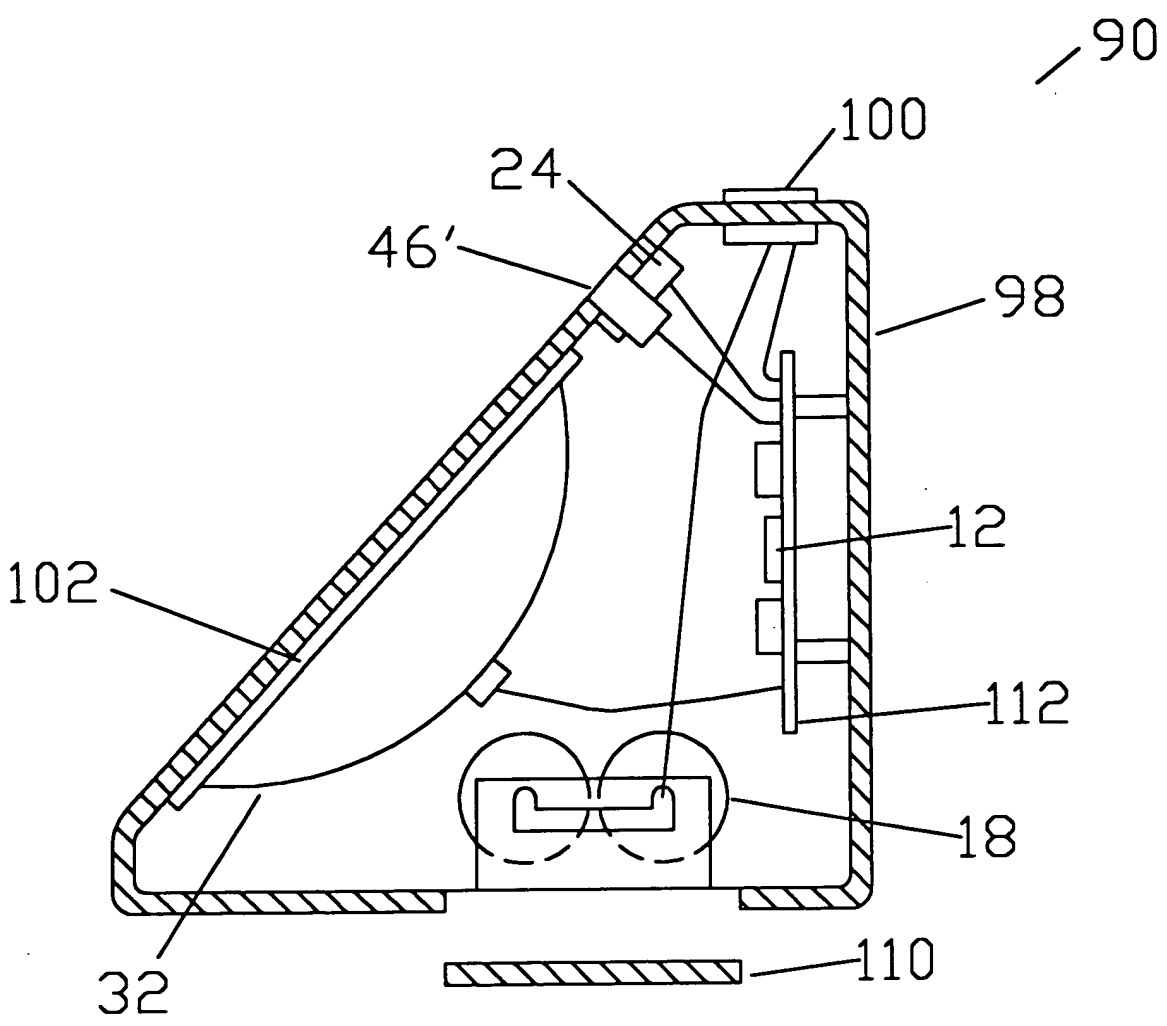


FIG. 5

APPROVED	O.G. FIG.	
BY	CLASS	SUBCLASS
DRAFTSMAN		

6/7

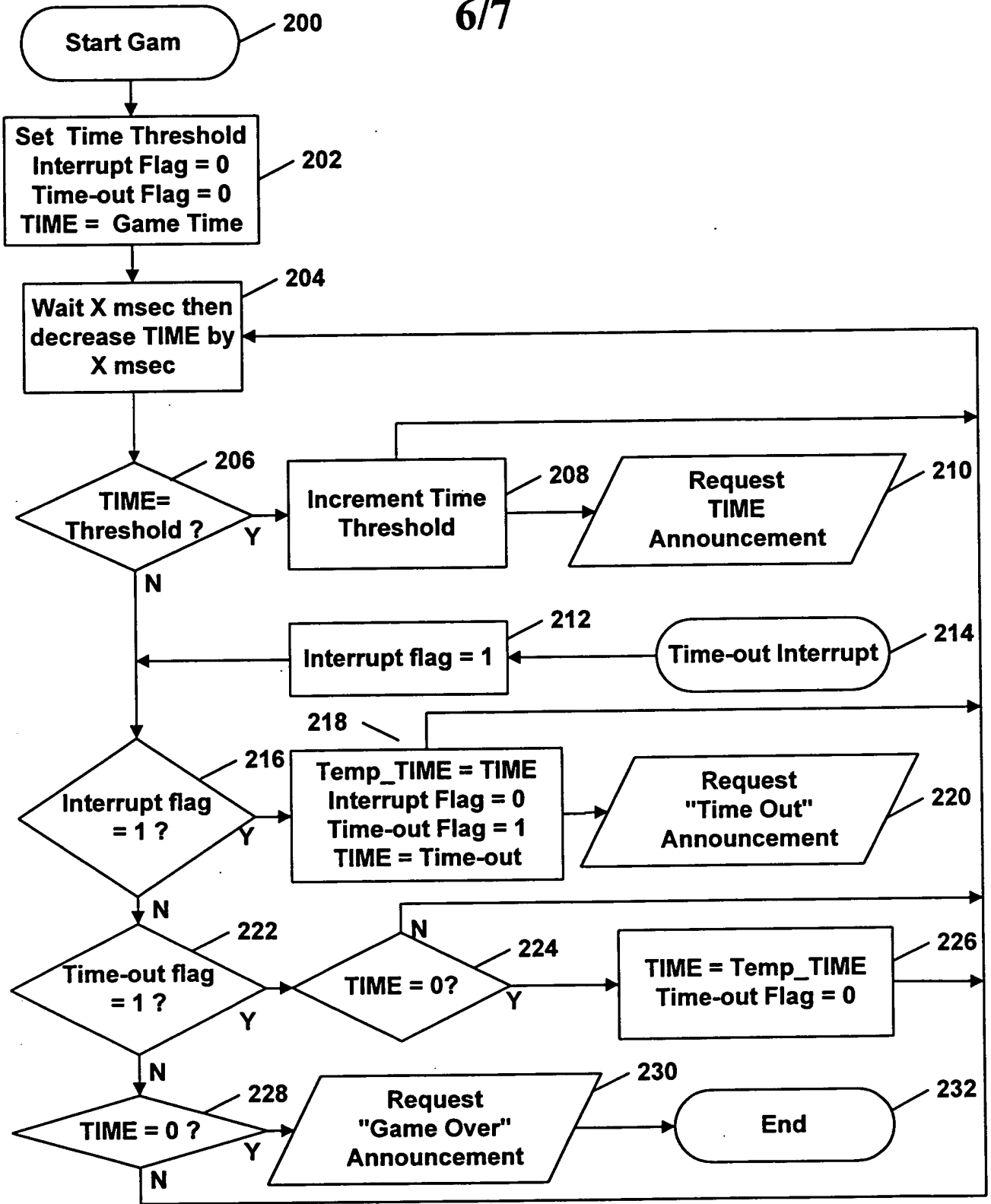


FIG. 6

APPROVED	O.G. FIG.	
BY	CLASS	SUBCLASS
DRAFTSMAN		

7/7

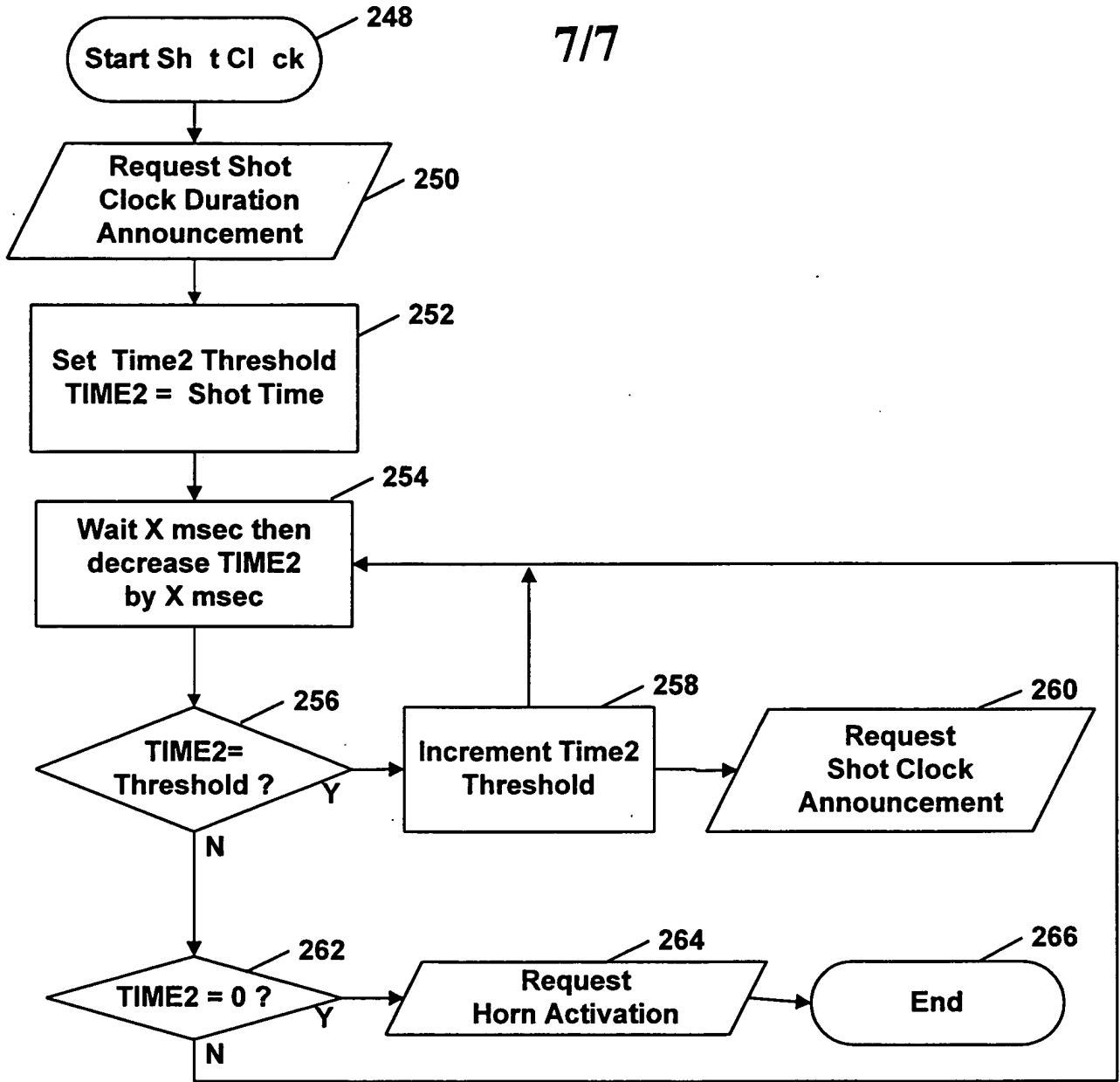


FIG. 7